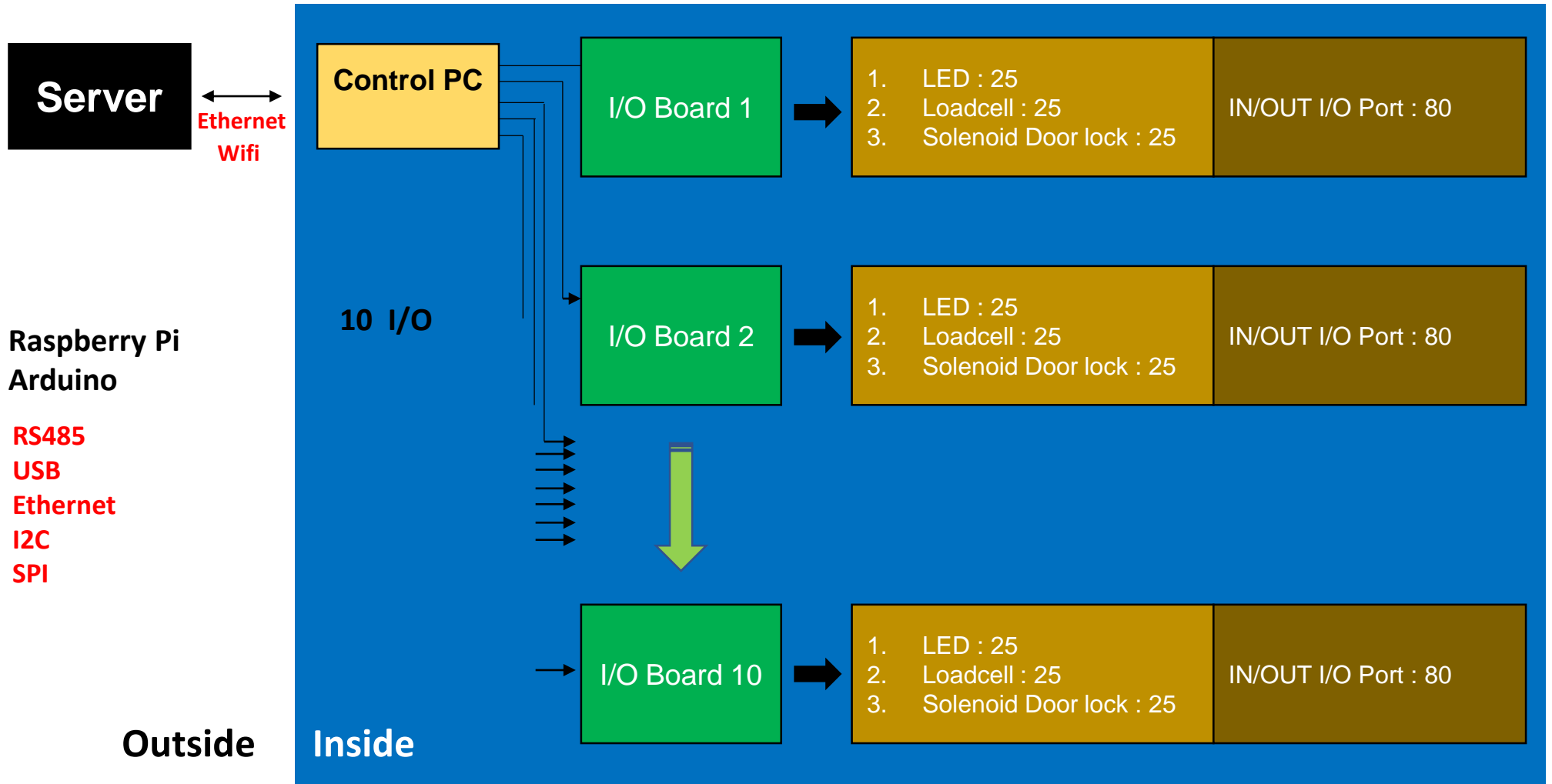


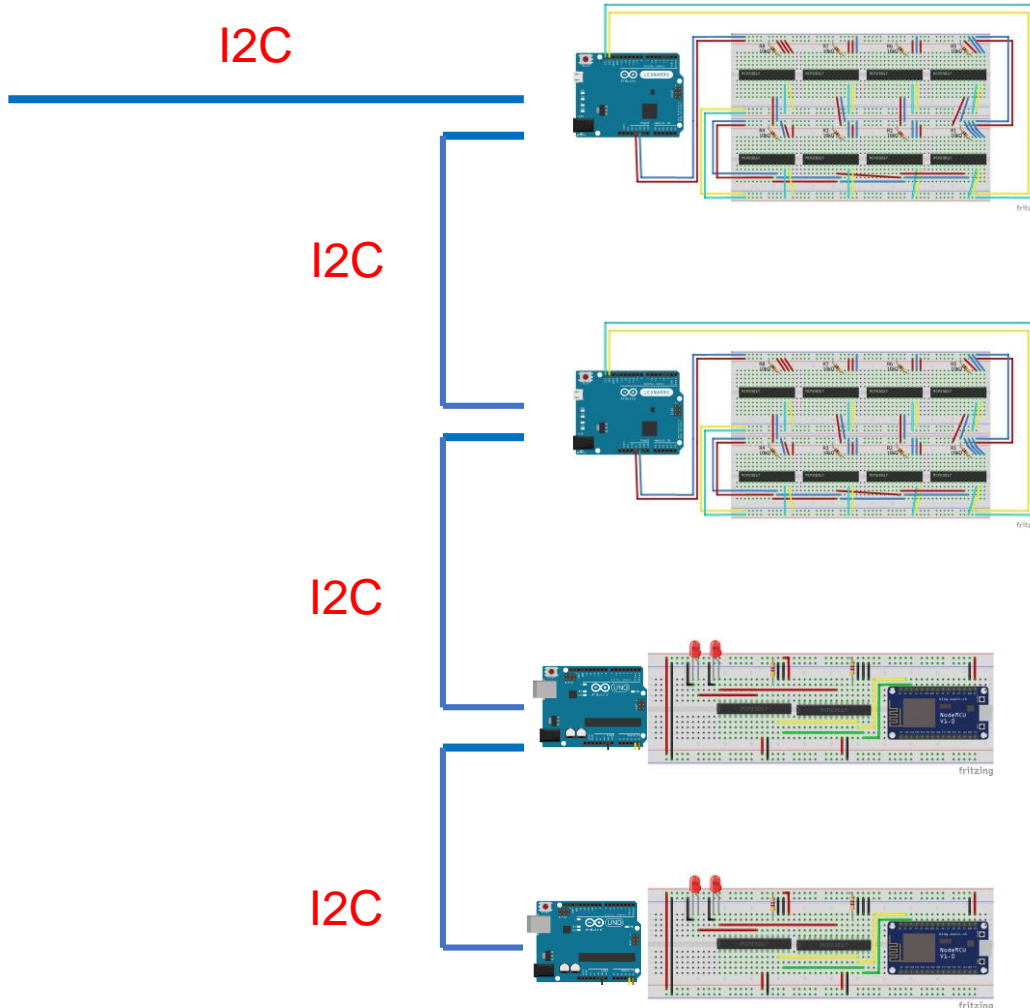
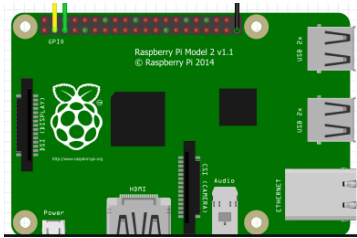
# Multi I/O Board configuration

# IO Quantity Required



# Ideas

I need about 1,000 I/O port . It is my idea, Is it possible ?



**MCP23017**

**Max :128 I/O port**

**MCP23017**

**Max :128 I/O port**

**Shift Register  
74HC595**

**No limit in number**

**Shift Register  
74HC165**

**No limit in number**

I2C  
SPI  
RS-485  
USB